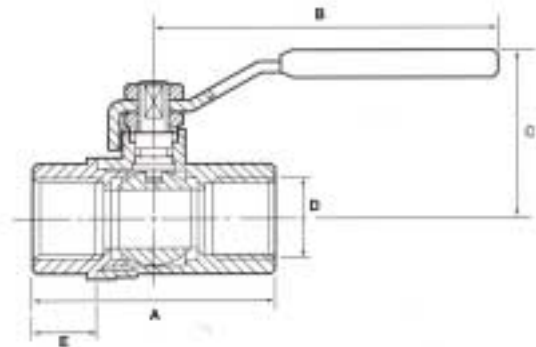




Also Available with  
Tee Handle (up to 1")


**MATERIALS**

BODY	Brass OT58 UNI 5705 Surface Nickel Plated
BALL	Brass OT58 UNI 5705 Nickel and Mirror Finish Chrome Plated
SPINDLE	Brass OT58 UNI 5705
SEAT/SEALS	PTFE
O-RING	VITON®
LEVER	Steel Lever c/w Thermo Insulating Sleeve
THREADS	Manufactured to ISO-7 unless otherwise stated

**DIMENSIONS AND SPECIFICATIONS**

SIZE	A	B	C	D	E	F	G	H	I	J	WEIGHT KG	PRESSURE PN	TEMP - °C +	TORQUE in Nm	FLOW Kv
1/8															
1/4	50.0	87.0	40.0	8.0	11.0						0.150	64	-20 > 150	2.0	5.4
3/8	50.0	87.0	40.0	10.0	11.4						0.169	64	-20 > 150	2.0	6.0
1/2	61.0	87.0	45.0	15.0	15.0						0.243	64	-20 > 150	3.0	16.3
3/4	69.0	87.0	48.0	20.0	16.3						0.338	40	-20 > 150	7.0	29.5
1	84.0	120.0	56.0	25.0	19.1						0.623	40	-20 > 150	10.0	43.0
1 1/4	98.0	120.0	60.0	32.0	21.4						0.882	25	-20 > 150	15.0	89.0
1 1/2	108.0	161.0	80.0	40.0	21.4						1.278	25	-20 > 150	20.0	230.0
2	128.0	161.0	80.0	50.0	25.7						2.232	25	-20 > 150	24.0	265.0
2 1/2															
3															
4															
5															
6															
8															

Pressure rating dependent upon temperature. Figures shown are maximum examples only.  
Information correct at the time of going to press. We reserve the right to alter specifications without notice.



Unit 32, Mere View Industrial Estate, Yaxley, Cambridgeshire, PE7 3HS, UK

Tel: +44 (0) 1733 243400, Fax: +44 (0) 1733 243344, e-mail: info@epsLtd.co.uk, www.epsLtd.co.uk